

Technical Specification

Bulkhead Seal Cup



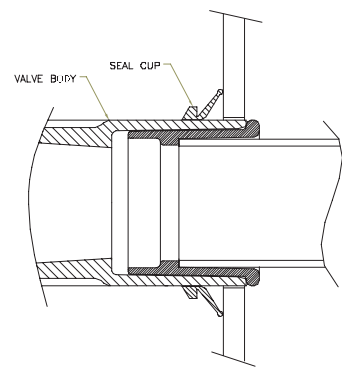
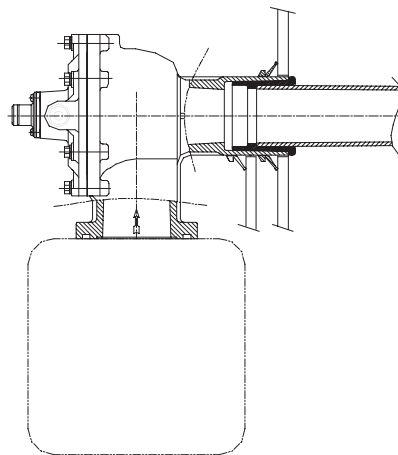
Description

Goyen produces a range of EPDM and viton bulkhead seals designed to ease the installation of cleaning systems onto dust collectors. These components eliminate the requirement for welding and allow easy removal of cleaning systems and blowtubes for maintenance purposes.

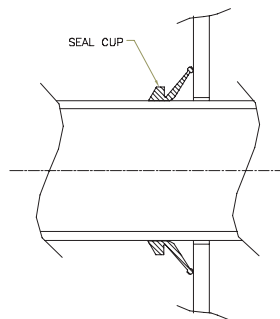
Suitable for

Most reverse pulse jet dust collector installations and their variations including bag filters, cartridge filters, envelope filters, ceramic filters, and sintered metal fibre filters.

Installation



Valve to wall seal
Suitable for FS valves only



Blowtube to wall seal

Order Code and Characteristics

Order Code	Style	Nom. Pipe OD Schedule 40	Material	Temperature Range °C °(F)	Unit Mass Kg (lbs)
690591	Valve to wall seal*	¾"	EPDM	-40(-40) to 82(179.6)	0.005
690591-2	Valve to wall seal*	¾"	Viton	-29(-20.2) to 232(449.6)	0.005
690125	Valve to wall seal*	1"	EPDM	-40(-40) to 82(179.6)	0.015
690125-2	Valve to wall seal*	1"	Viton	-29(-20.2) to 232(449.6)	0.015
690093	Valve to wall seal*	1 ½"	EPDM	-40(-40) to 82(179.6)	0.025
690093-2	Valve to wall seal*	1 ½"	Viton	-29(-20.2) to 232(449.6)	0.025
690593	Tube to wall seal	¾"	EPDM	-40(-40) to 82(179.6)	0.005
690593-2	Tube to wall seal	¾"	Viton	-29(-20.2) to 232(449.6)	0.005
690129	Tube to wall seal	1"	EPDM	-40(-40) to 82(179.6)	0.015
690129-2	Tube to wall seal	1"	Viton	-29(-20.2) to 232(449.6)	0.015
690094	Tube to wall seal	1 ½"	EPDM	-40(-40) to 82(179.6)	0.025
690094-2	Tube to wall seal	1 ½"	Viton	-29(-20.2) to 232(449.6)	0.025

*Suitable for FS valves only