

## PRECISION

**Total filter cleaning controls for reverse pulse jet dust collectors.**

**Maximises filter cleaning performance. Easy integration into plant control. Communicates in 5 languages. As simple or sophisticated as required.**

### Key hardware features

- Choice of Continuous mode (P1) or Enhanced Demand mode (P2) interfaces. These may be upgraded in-situ, after disconnecting power.
- 2 or 4 line backlit LCD display showing operating mode, scrolling display of settings, differential pressure (P2 only), and countdown to next valve pulse and valve ID.
- Integrated pressure transducer on the Enhanced Demand interface eliminates the requirement for a separate pressure gauge. Collector differential pressure is displayed on the P2 interface display.
- Ten solenoid terminals on-board the Precision master controller. Terminals may be expanded to 200 total by connecting either PS-CA or PS-LA expansion cards (each ten outputs).
- Available as board only or in a range of enclosures.
- Optional RS485 two wire communications card (P-MOD), supporting Modbus RTU protocol. Full SCADA and DCS connectivity with full read and write capability.
- Optional digital I/O card (P-CTX) with 4-20mA dP output, alarm outputs, remote alarm reset, remote continuous/demand toggle, and remote manual cycle actuation. Ideal for control panels, lights or audible alarms.
- Optional tube cleaner manifold to keep pressure sensing lines clear and functional.
- PS-CA expansion cards(compact) may be ordered pre-assembled and pre-wired into the IP65 steel/SS enclosures (maximum 5 slaves with tube cleaner manifold removed). The PS-LA expansion cards (large) can be single fitted to the IP65 steel/SS enclosures only.



### Key software features

- Choice of five display languages: English, French, German, Italian, Spanish.
- Choice of five units for pressure: Pa, kPa, inWG, mmH<sub>2</sub>O, mmHg.
- Pattern Cleaning mode (P2) allows a pulse cleaning pattern to be set to minimise dust re-entrainment on filters.
- Maximum interval (P2) allows a minimum cleaning cycle rate to be set between pulses when in demand cleaning mode. This provides safety net cleaning for the filters.
- Cycle counter with maintenance alarms at 100K, 500K, and 950K cycles.
- High dP alarm and alarm delay setting (P2).
- Filter Precoating function (P2).
- Offline cleaning cycles.
- Demand cleaning (P2) by high/low limits or dP + %bandwidth.
- Automatic detection of connected solenoids and expansion cards.
- Automatic detection and alarms for failed solenoids - open or closed circuit.
- Automatic detection and alarms for Precision circuit over temperature and low voltage.



**Electrical specifications**

**Power Supply:**

240VAC 300W (1.25A)

110VAC 300W (2.5A)

**Modbus communications specifications**

Modbus RTU

RS485 Half duplex (two wire) 9600 Baud rate

Data bits = 8

Stop bits = 1

Parity = None

**Mechanical/Environmental specifications**

Operating temp.: 0 -70°C (32 -158°F)

Vibration: to 55Hz, 1.5mm double amplitude

Shock: to 100m/s<sup>2</sup>

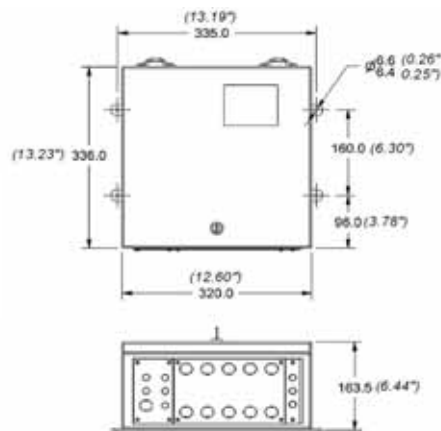
**Configuration of expansion cards**

Max cards connected: 19 (total 200 outputs)



Differential pressure tapings using 1/4" OD tubing

Air Pressure correction 1/4" OD piping



**Australia**

Goyen Controls Co Pty Ltd  
268 Milperra Rd  
Milperra  
NSW 2214  
AUSTRALIA  
Telephone: 61 2 9792 0201  
Facsimile: 61 2 9771 5380

**Queensland**

Telephone: 61 7 3260 2161  
Facsimile: 61 7 3260 2165

**Victoria**

Telephone: 61 3 9874 6655  
Facsimile: 61 3 9874 1846

**South Australia**

Telephone: 61 2 9792 0201  
Facsimile: 61 2 9771 5380

**Western Australia**

Telephone: 61 7 3260 2161  
Facsimile: 61 7 3260 2165

**USA**

Goyen Valve Corporation  
1195 Airport Rd Lakewood  
New Jersey 08701  
USA  
Telephone: 1 732 364 7800  
Facsimile: 1 732 364 1356

**Asia**

Goyen Controls Co Pty Ltd  
65-2 Jalan Mega Mendung  
Kompleks Bandar 58200  
Kuala Lumpur  
MALAYSIA  
Telephone: 60 37 987 6839  
Facsimile: 60 37 987 7839

Goyen Controls Co Pty Ltd  
Shanghai Representative Office  
2521 Zhao Feng World Trade Centre  
369 Jian Su Rd  
Shanghai 200050  
China  
Telephone: 86 21 5239 8810  
Facsimile: 86 21 5239 8812

**Europe**

Goyen Controls Co UK Ltd  
Unit 3B Beechwood  
Chineham Business Park  
Basingstoke, Hampshire, RG24 8WA  
UNITED KINGDOM  
Telephone: 44 1256 817 800  
Facsimile: 44 1256 843 164

Mecair S.r.l  
Via per Cinisello 97  
1 -20054 Nova Milanese  
Milano  
ITALY  
Telephone: 39 0362 3751  
Facsimile: 39 0362 367 279

Tyco Umwelttechnik GmbH  
Im Petersfeld 6  
D-65264 Altdiez  
GERMANY  
Telephone: 49 6432 1001/1002  
Facsimile: 49 6432 63810