



Solenoid Coil Options



Solenoid Coils

All coils are continuously rated within +10 to -15 of nominal voltage and encapsulated in a moisture and abrasion resistant self extinguishing nylon.

Coil insulation is "Class B" rated at 130°C.

B Series Coils

BD: Basic Coil and Enclosure

Coil and junction box enclosure provides 8 UNC, coil and earth terminals with M20 x 1.5 or 1/2" NPSC conduit entry.

Protection Class: IP31; NEMA 1

BC: Open frame coil with exposed 8 UNC screw terminals, for connection within a cabinet or other enclosure.

BR: Plug in coil and DIN40050 socket with PG9 cable gland, for internal or external installation. Weather, dust and hose proof. Protection Class: IP65; NEMA4

BH: Explosion proof enclosure for hazardous locations. Protection Class: ExdIIB Class I Zone 1, Class II; IP65; DIP.

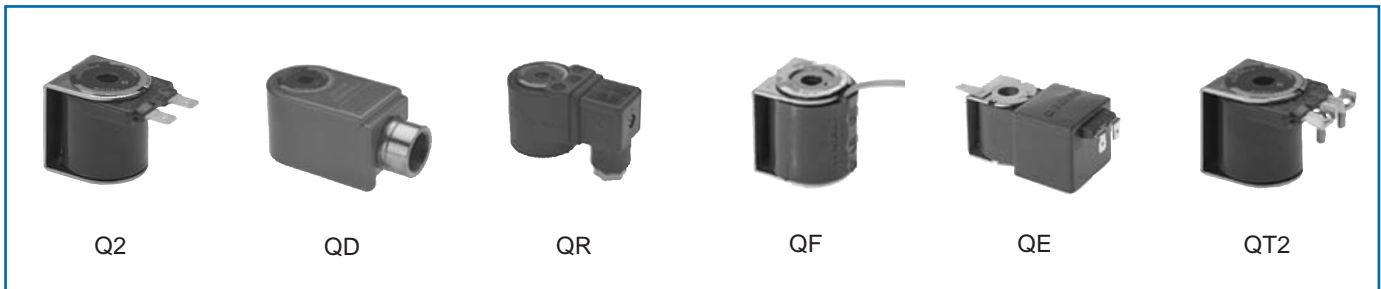
AC - B Coils

Volts	Hz	Inrush mA	Holding mA
12	50	4040	1670
24	50	2000	830
24	60	1720	660
32	50	1260	520
48	50	980	380
48	60	1070	410
110	50	405	157
110	60	496	195
120	60	370	142
240	50	172	70
415	50	80	30

DC - B Coils

Volts	Hz	Holding mA
12	DC	1200
24	DC	596
32	DC	322
48	DC	302
74	DC	148
110	DC	113
240	DC	48

Coils not available in 32 Volts 60 Hz AC



Q Series Coils

Q2: Basic Coil

6mm [1/4"] spade terminals for push on connections within a cabinet or other enclosure.

QD: Coil and junction box enclosure provides 6 UNC coil and 8 UNC earth terminals, with an M20 x 1.E or Vs" NPSC conduit entry. Protection Class: IP31; NEMA 1

QR: Plug in coil and DIN40050 socket with PG9 cable gland, for internal or external installation. Weather, dust and hose proof. Protection Class: IP65, NEMA4.

QF: 450mm [18"] integral flying leads for direct connection to terminal strip, controller or junction box.

QE: Electronic module incorporating a pulse and hold circuit. Coil features low power consumption, low heat rise and zero hum. Available in 240VAC, 24VDC and 12VDC. Standard 6mm spade connector.

QT2: 6 UNC screw terminals for direct wiring within a cabinet or other enclosure.

AC - Q Coils

Volts	Hz	Inrush mA	Holding mA
12	50	1238	788
24	50	800	520
24	60	822	510
32	50	590	370
32	60	490	285
110	50	192	123
110	60	160	94
120	60	180	110
240	50	86	55
415	50	36	22

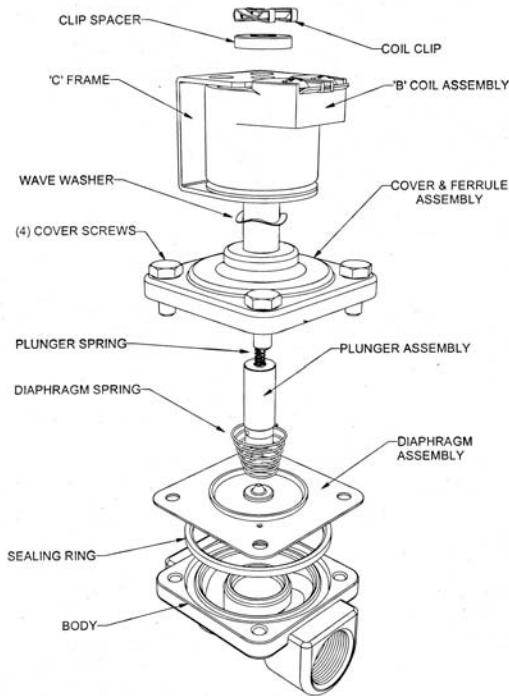
DC - Q Coils

Volts	Hz	Holding mA
12	DC	719
24	DC	364
32	DC	262
48	DC	188
74	DC	116
110	DC	81
240	DC	39

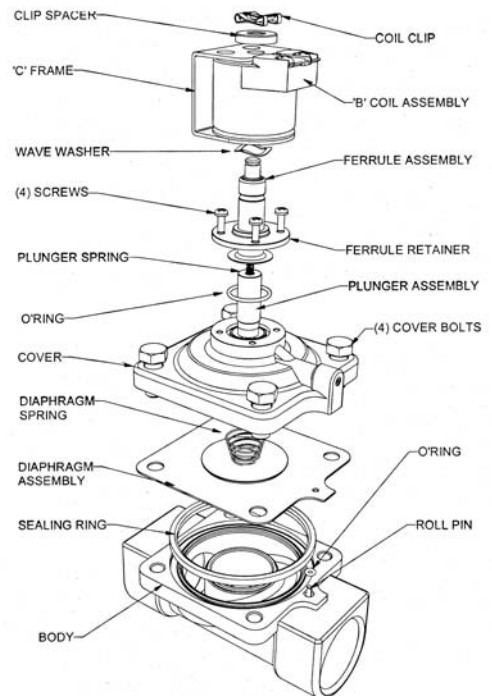
Coils not available in 48 Volts 50 Hz AC and 48 Volts 60 Hz AC

Construction

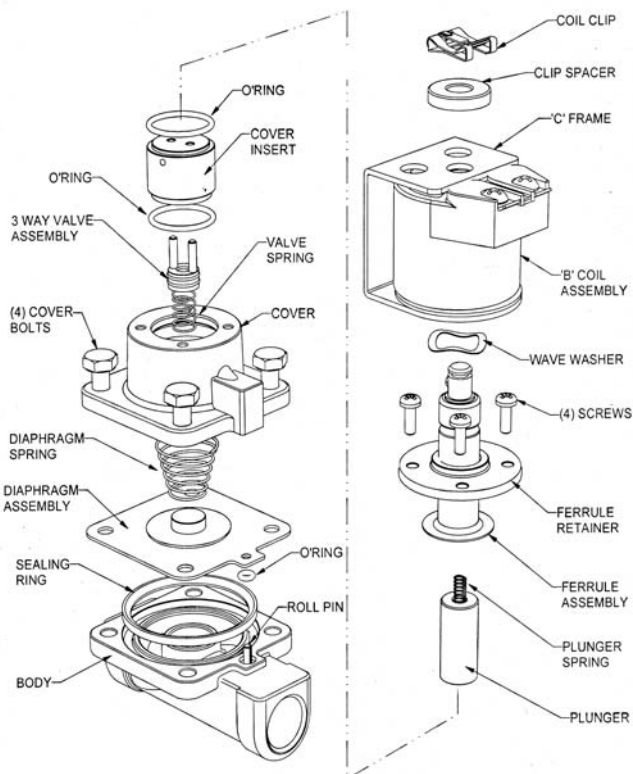
6, 10, 12, 20BW2 Valves Normally Closed Typical Construction



25BW3 and 40BW2 Valves Normally Closed Typical Construction



BW2 Valves Normally Open - Typical Construction



BWJ2 Series Normally Closed - Typical Construction

