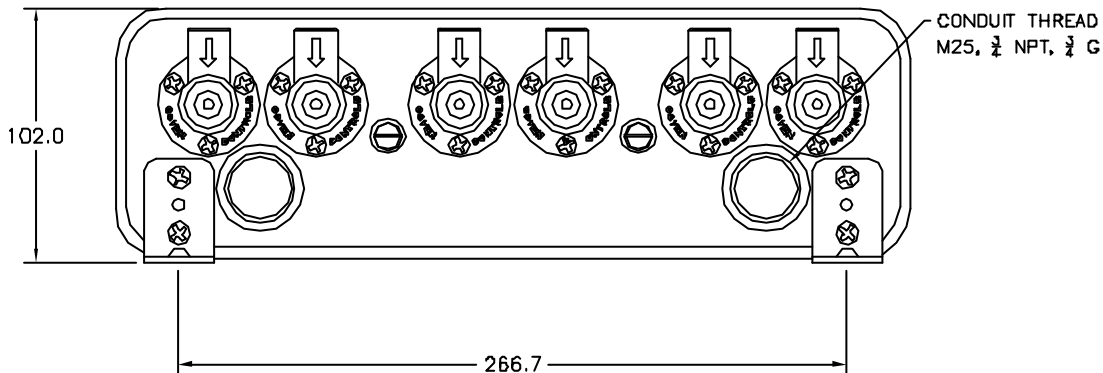
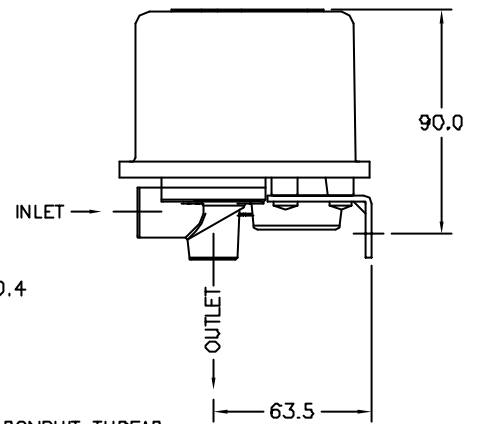
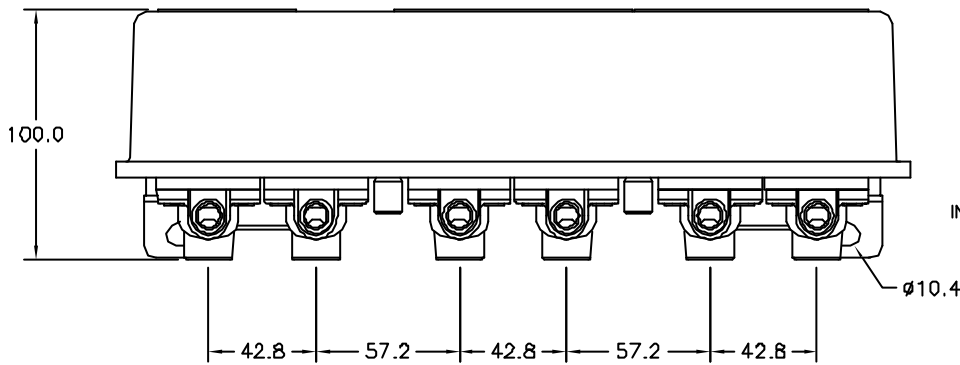
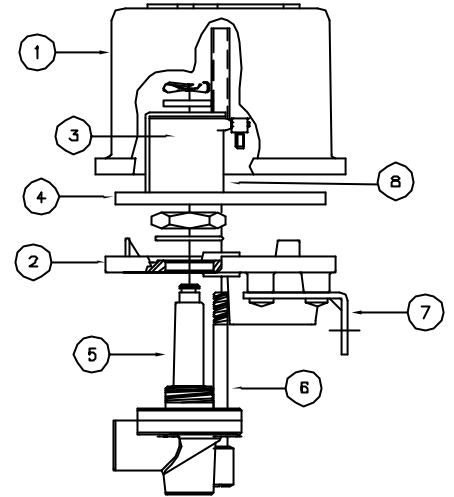
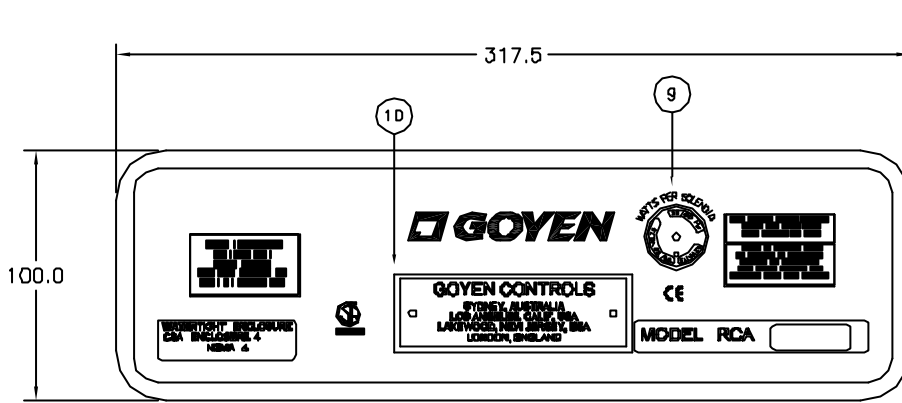


5-6V6 NEMA 4
SOLENOID PILOT
ENCLOSURE



ITEM	DESCRIPTION	STANDARD MATERIAL
1	COVER CSA-CE APPROVED NEMA 4	ALUMINIUM DIECAST
2	6 VALVE BASE MAXIMUM 6 VALVES MOUNTED, 2 CONDUIT ENTRIES	ALUMINIUM DIE CAST
3	B2 COILS - FOR VOLTAGE OPTIONS SEE - TBA	
4	RAINTIGHT SEAL - BUNA N	BUNA N
5	1/4 SOLENOID PILOT - RC & NPT INLET/EXHAUST THREADS	
6	BASE TO COVER RETAINING PIN	MILD STEEL
7	MOUNTING BRACKETS	MILD STEEL
8	RETAINING PIN INSULATOR	BLACK PVC TUBE
9	VOLTAGE PLATE - NOMINATING COIL VOLTAGE INTERNALLY	
10	GOYEN NAMEPLATE / CUSTOMERS NAMEPLATE (OPTION)	CUSTOMER REQUEST

DOC No	CAS-DG_5-6V6
REVISION No	3
ISSUE DATE	31.7.02